



**BATHTUBS**

LAST REVISED: 8/9/2010

**TECHNICAL SPECIFICATIONS**

CSI Division 06600; 06610; 224223

*\*\*All products made of cultured marble, also known as MasterCast Engineered Composites, Cast Stone, Stone Resin, Resine de Pierre or Marbre de Synthèse (French), Mineral Guss (German), Polybeton (Dutch)\*\**



## Adoni Free Standing Tub

**Est. Weight:** 352.7 lbs (160 kg)

**Est. Water Capacity:** 47.6 gal (180 litres)

**USES:**

Std tub with deck:	NO
Undermount:	YES
Drop-in:	YES
Free standing:	YES

**Included Features:**

Solid one-piece construction

Pre-sloped to drain

Mold and mildew resistant

Bacteria resistant

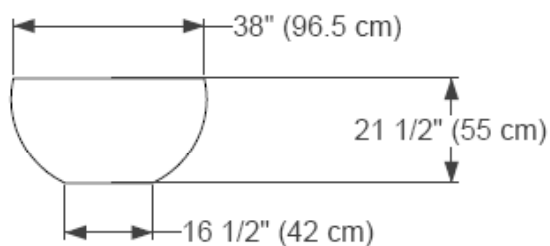
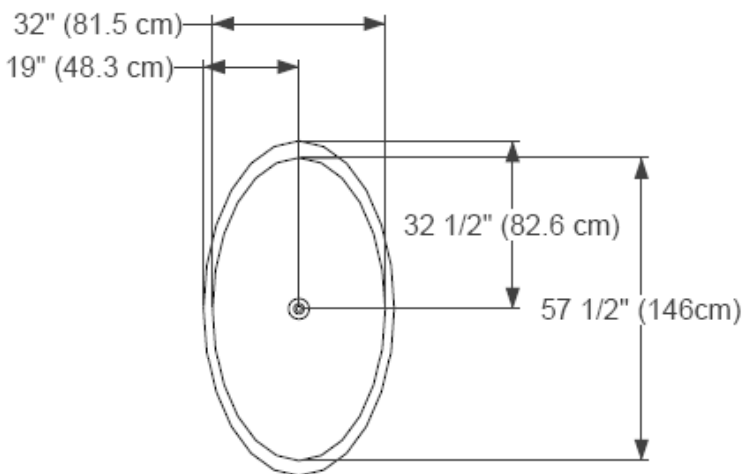
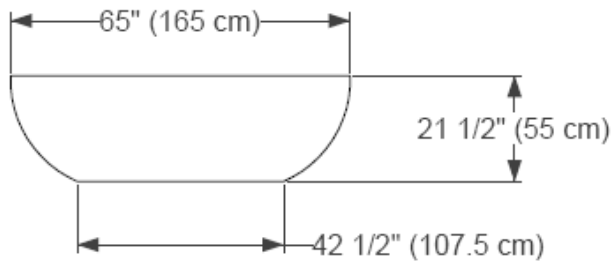
Non-porous

Stain resistant and easy to clean

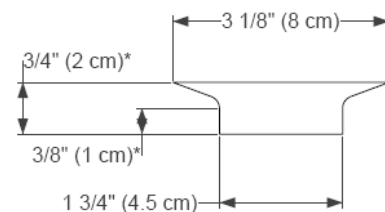
Waterproof and leakproof

Slip resistant base

*Our products comply with one or more of the following: IAPMO, ANSI, HUD, NAHB, NHQ*



**Drain Details:**



*\* dimensions may vary slightly*