



**BATHTUBS**

LAST REVISED: 8/9/2010

**TECHNICAL SPECIFICATIONS**

CSI Division 06600; 06610; 224223

*\*\*All products made of cultured marble, also known as MasterCast Engineered Composites, Cast Stone, Stone Resin, Resine de Pierre or Marbre de Synthese (French), Mineral Guss (German), Polybeton (Dutch)\*\**



## Imperia Free Standing Tub

**Est. Weight:** 392.4 lbs (178 kg)

**Est. Water Capacity:** 79.3 gal (300 litres)

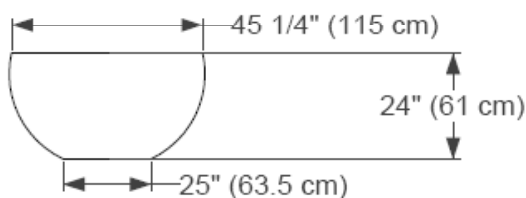
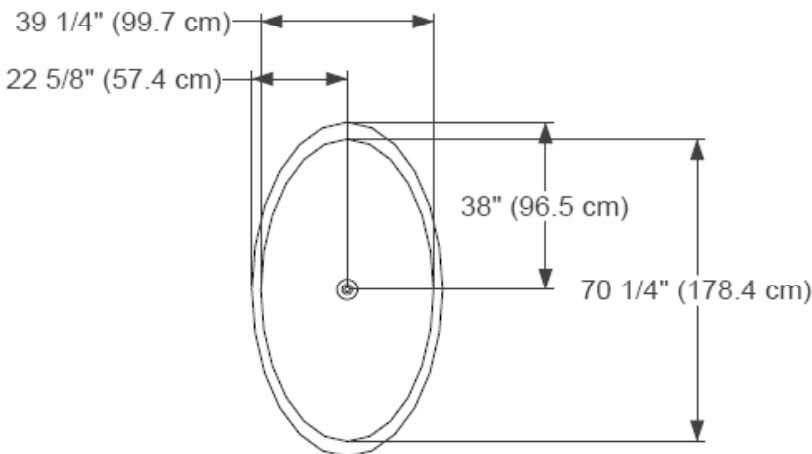
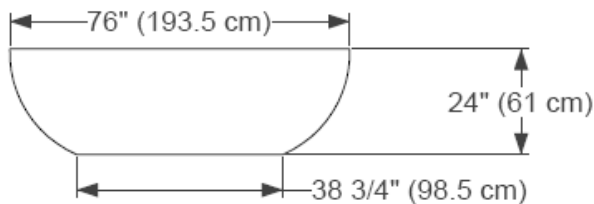
**USES:**

Std tub with deck:	NO
Undermount:	YES
Drop-in:	YES
Free standing:	YES

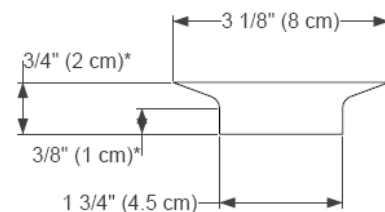
**Included Features:**

- Solid one-piece construction
- Pre-sloped to drain
- Mold and mildew resistant
- Bacteria resistant
- Non-porous
- Stain resistant and easy to clean
- Waterproof and leakproof
- Slip resistant base

*Our products comply with one or more of the following: IAPMO, ANSI, HUD, NAHB, NHQ*



**Drain Details:**



*\* dimensions may vary slightly*