



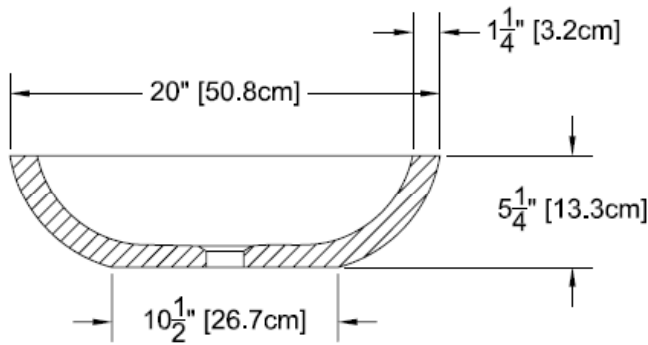
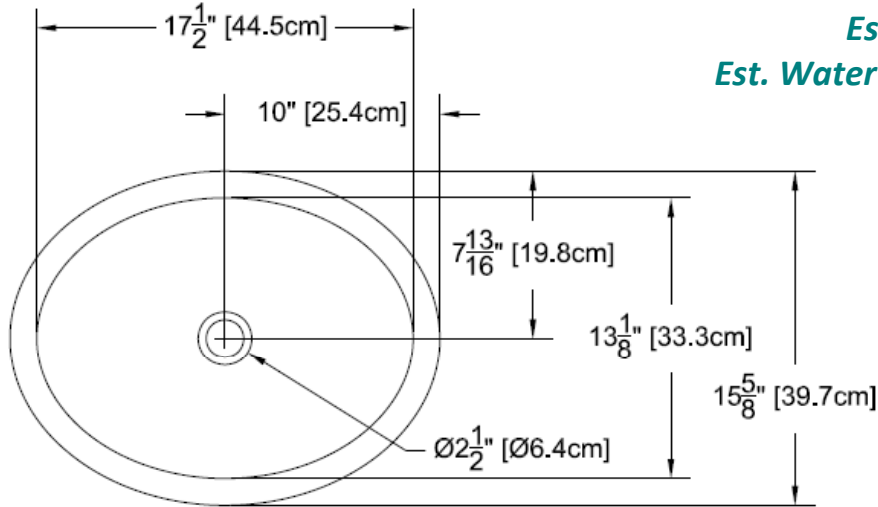
**BASINS**  
**TECHNICAL SPECIFICATIONS**  
**CSI Division 06600; 06610**

LAST REVISED: 8/24/2010

*\*\*All products made of cultured marble, also known as MasterCast Engineered Composites, Cast Stone, Stone Resin, Resine de Pierre or Marbre de Synthese (French), Mineral Guss (German), Polybeton (Dutch)\*\**

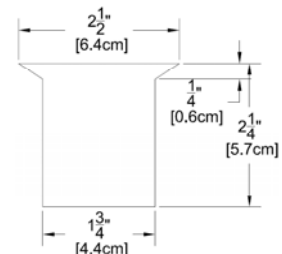
## Ovalis 3 Basin

**Est. Weight: 23 lbs (10.4 kg)**  
**Est. Water Capacity: 1.5 gal (6 litres)**



Our products comply with one or more of the following: IAPMO, ANSI, HUD, NAHB, NHQ

### Drain Details:



**Overflow available upon request only**  
**Drain dimensions may vary slightly**