



BATHTUBS

LAST REVISED: 8/9/2010

TECHNICAL SPECIFICATIONS

CSI Division 06600; 06610; 224223

All products made of cultured marble, also known as MasterCast Engineered Composites, Cast Stone, Stone Resin, Resine de Pierre or Marbre de Synthèse (French), Mineral Guss (German), Polybeton (Dutch)



Petit Free Standing Tub

Est. Weight: 308.6 lbs (140 kg)

Est. Water Capacity: 63.4 gal (240 litres)

USES:

Std tub with deck:	NO
Undermount:	NO
Drop-in:	NO
Free standing:	YES

Included Features:

Solid one-piece construction

Pre-sloped to drain

Mold and mildew resistant

Bacteria resistant

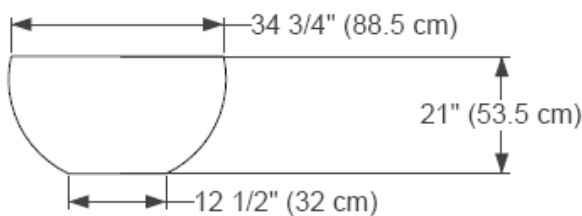
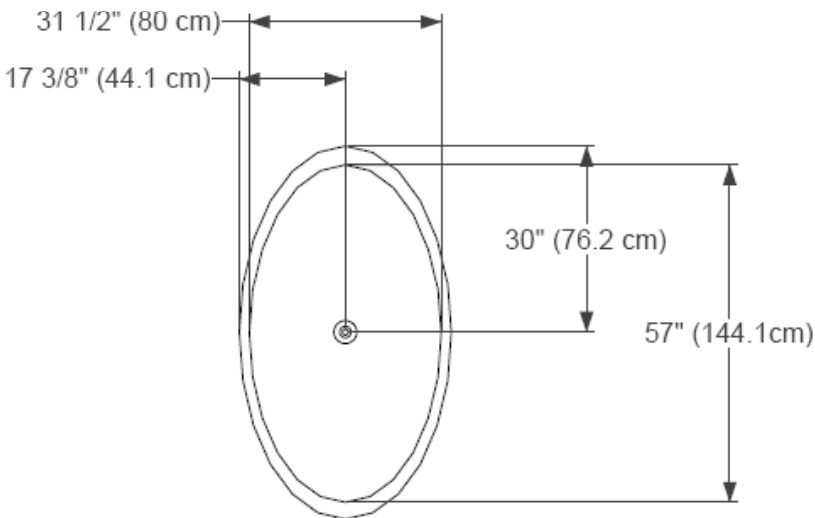
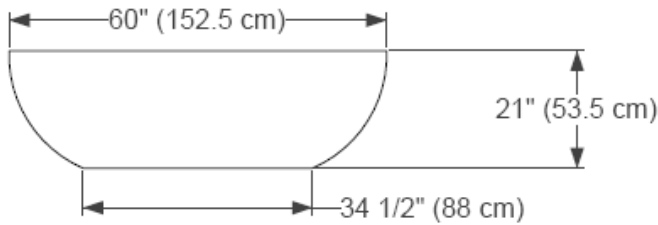
Non-porous

Stain resistant and easy to clean

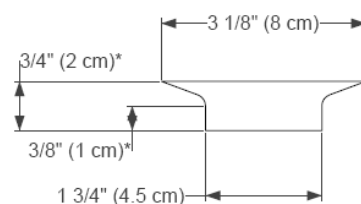
Waterproof and leakproof

Slip resistant base

Our products comply with one or more of the following: IAPMO, ANSI, HUD, NAHB, NHQ



Drain Details:



** dimensions may vary slightly*