



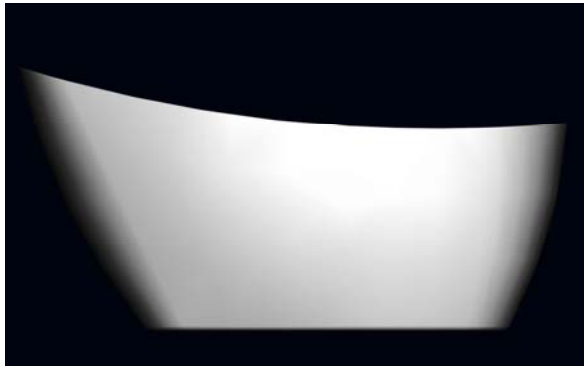
**BATHTUBS**

LAST REVISED: 11/21/2011

**TECHNICAL SPECIFICATIONS**

CSI Division 06600; 06610; 224223

**\*\*All products made of MasterCast Engineered Composites, Cast Stone, Stone Resin, Resine de Pierre or Marbre de Synthese (French), Mineral Guss (German), Polybeton (Dutch)\*\***



## Raindrop Free Standing Tub

**Est. Weight:**

**Est. Water Capacity:**

**USES:**

Std tub with deck:	NO
Undermount:	NO
Drop-in:	NO
Free standing:	YES

**Included Features:**

Solid one-piece construction

Pre-sloped to drain

Mold and mildew resistant

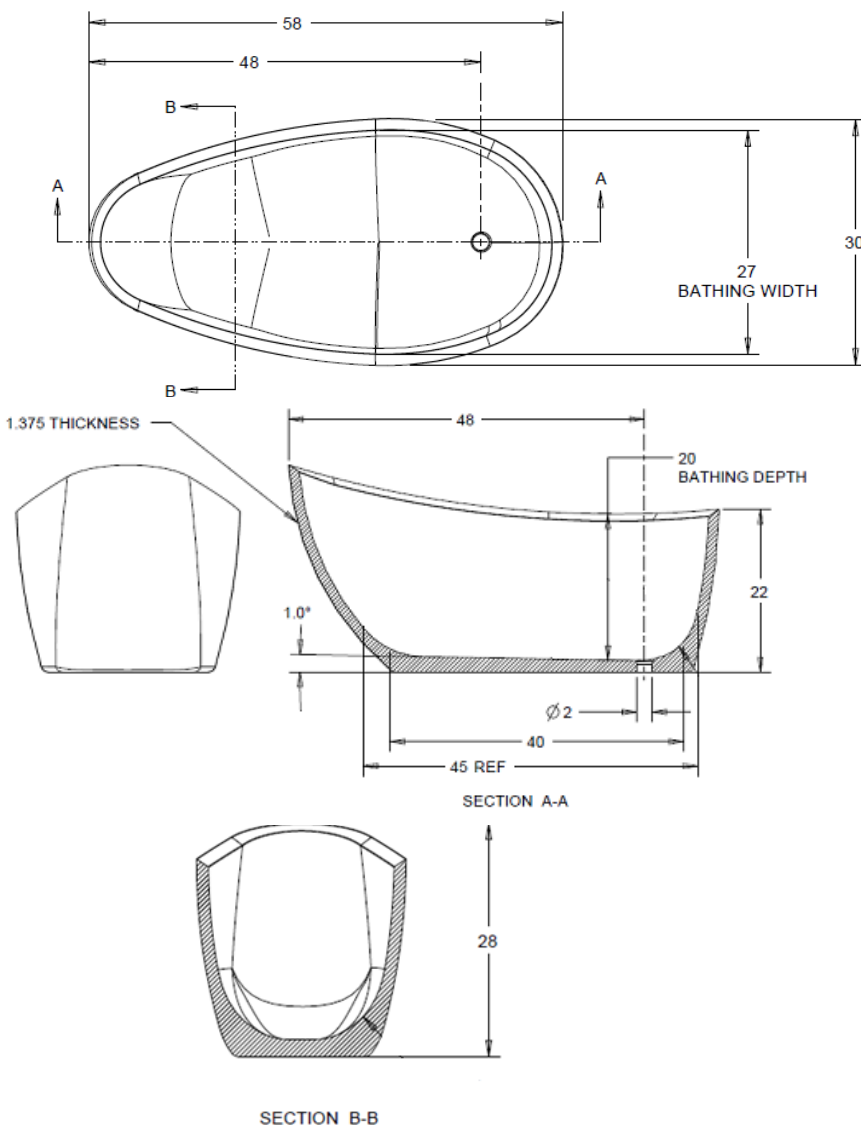
Bacteria resistant

Non-porous

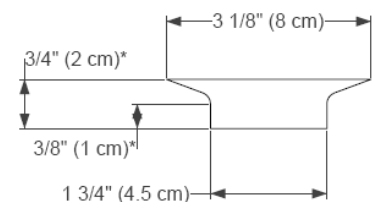
Stain resistant and easy to clean

Waterproof and leakproof

*Our products comply with one or more of the following: IAPMO, ANSI, HUD, NAHB, NHQ*



**Drain Details:**



*\* dimensions may vary slightly*